



WARNING



This is not a toy. Misuse may cause serious injury, especially to the eye. Eye protection designed for airsoft guns must be worn by the user and any person within range. Read the owner's manual before using.

This airsoft gun is intended for those 18 years of age or older. Adult supervision is required.

Do not change the coloration and/or markings to make it look more like a firearm. It may confuse people and/or the police and may be a crime.

Do not misuse this airsoft gun. Do not brandish or display this airsoft gun in public.

When using this airsoft gun be aware of all requirements imposed by applicable U.S. federal, state, and local laws, regulations, and administrative policies related to airsoft equipment and/or use of said equipment.

CAUTION

Store the airsoft gun unloaded in a safe and proper manner, and check to see that the airsoft gun is unloaded when removed from storage or received from another person.

Treat every airsoft gun as if it is loaded.

Always wear eye protection designed for airsoft guns when handling or shooting or in range of any airsoft gun, and wear them over prescription glasses.

Keep your finger off the trigger until ready to shoot.

Never point the airsoft gun at anything you do not wish to shoot.

Keep the airsoft gun on safe until ready to shoot.

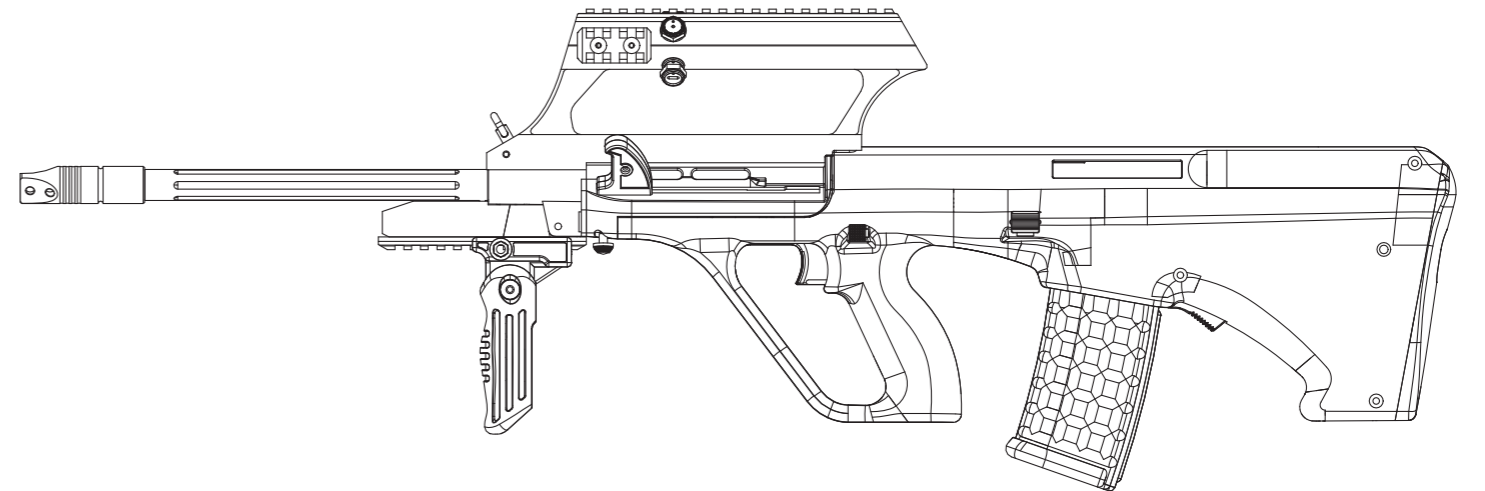
Avoid ricochet. Never shoot at a hard or flat surface or at water.

Backstops should be inspected for wear before and after each use. Discontinue use if the backstop surface shows signs of failure. Since backstop surfaces eventually fail, always place the backstop in a location that will be safe should the backstop fail. Discontinue the use of a backstop if the projectile rebounds or ricochets.

ADVISORY

Perform routine inspection and maintenance, including:

- (a) Modification of the gun mechanism may cause a gun to malfunction and tampering with a gun may make it unsafe to use.
- (b) Any change in the performance, such as lowered trigger force and shortened trigger travel, indicates possible wear and that such guns should be inspected, replaced, or properly repaired, and repairs should only be made by qualified personnel.
- (c) Check any gun that has been dropped to ensure that its function has not been affected.



User manual
Manuel de l'utilisateur
Manual de usuario
Benutzerhandbuch

Read through this manual before use
Lisez ce manuel avant utilisation
Lea este manual antes de utilizar
Lesen Sie dieses Benutzerhandbuch
bevor Sie das Produkt in verwenden

AIRSOFT GUN
Décret N° 99-240 du 24 mars 1999 Réglementant la vente en France. Objet ayant l'apparence d'une arme à feu.
«DISTRIBUTION INTERDITE AUX MINEURS». «ATTENTION NE JAMAIS DIRIGER LE TIR VERS UNE PERSONNE».
Ce modèle factice n'est pas un jouet. A tenir à l'écart du rayon jouet. Le port de lunettes de protection est obligatoire.
Avant tout usage, lire attentivement la notice incluse dans la boîte. Compte tenu du réalisme de ces modèles factices, il est rappelé que la loi interdit le port de tout objet susceptible de constituer une arme dangereuse pour la sécurité publique.

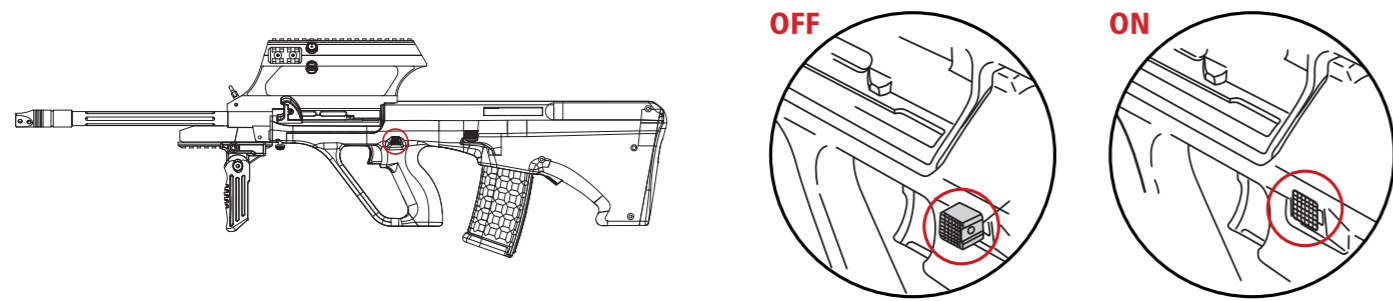
WARNING
Cancer and reproductive harm –
www.P65Warnings.ca.gov

ADVERTENCIA
Cáncer y daño reproductivo –
www.P65Warnings.ca.gov

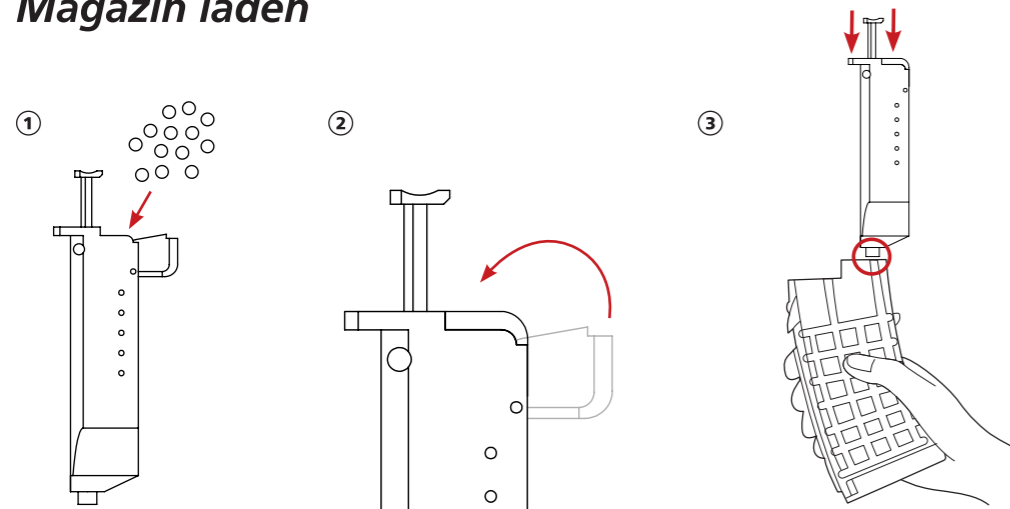
ActionSportGames® A/S
Bjergvangen 1
DK-3060 Espergerde
Denmark
www.actionsportgames.com



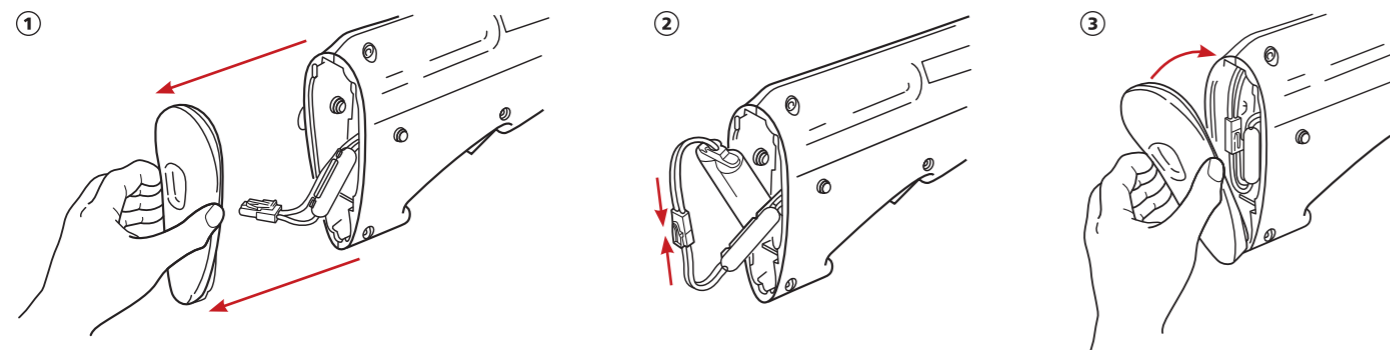
Safety / Sécurité / Seguridad / Sicherheit



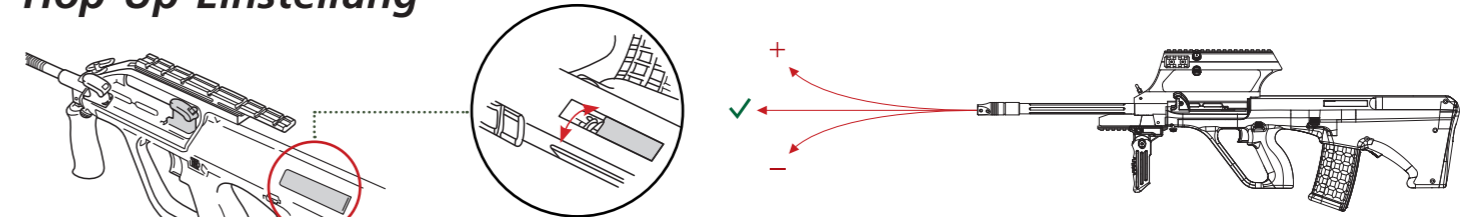
Loading magazine / Approvisionnement du chargeur / Cargar el cargador / Magazin laden



Battery installation / Installer la batterie / Instalación de baterías / Batterieinstallation



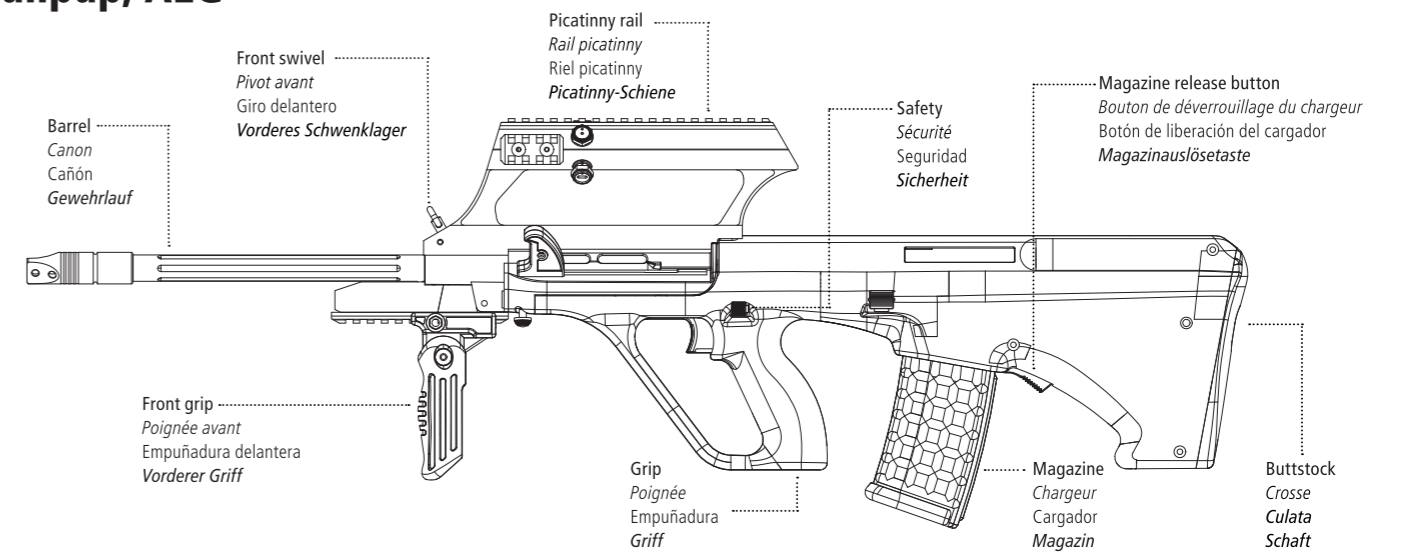
Hop-up adjustment / Réglage du Hop-up / Ajuste del hop-up / Hop-Up-Einstellung



Semi auto and full auto / Semi-automatique et automatique / Semi Automático y automático / Halbautomatisch und vollautomatisch



Bullpup, AEG



Warning / Avertissement / Advertencia / Achtung

