



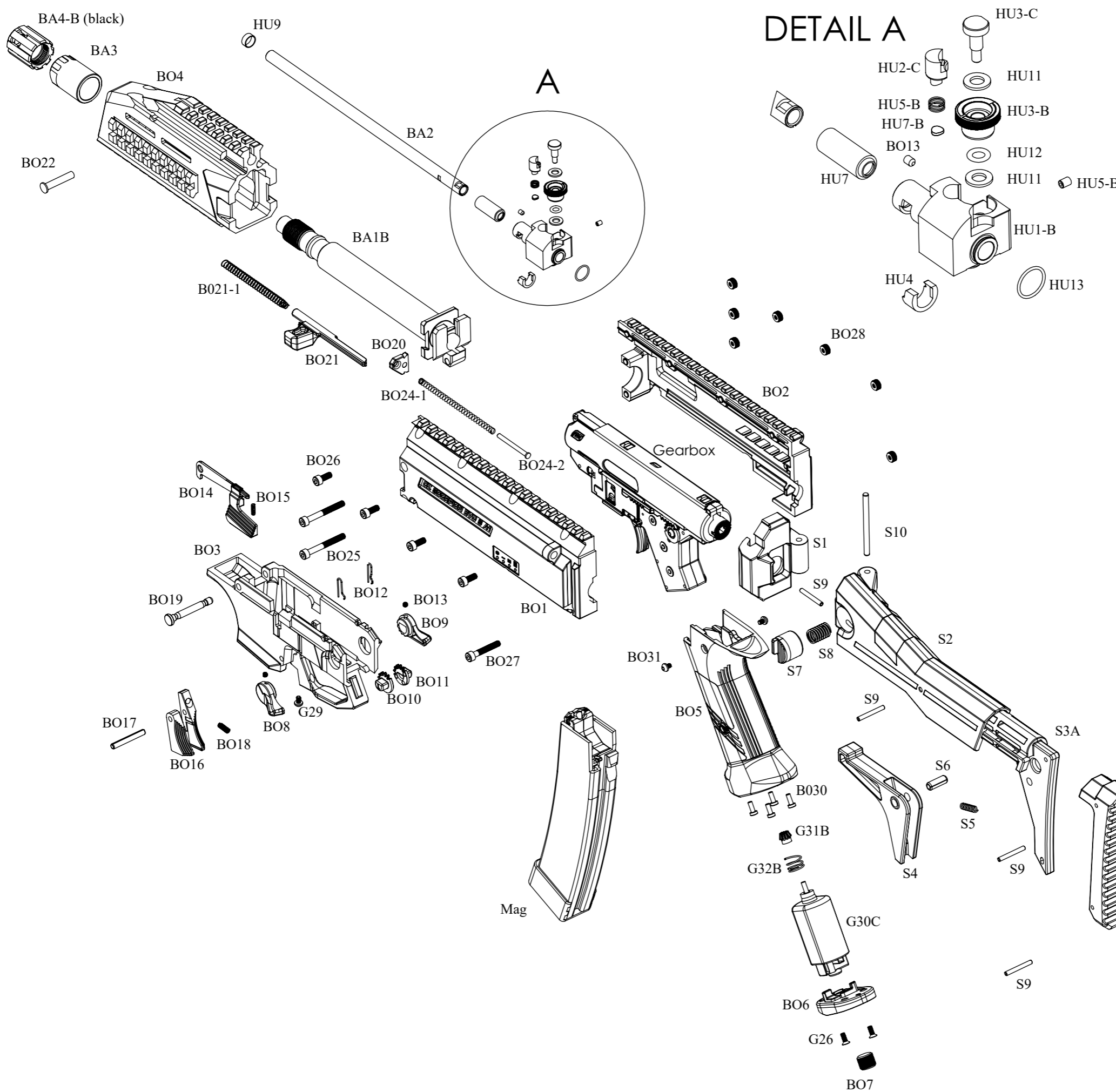
Rev.0 / Date: 24-02-2023

Property of ActionSportGames / ASG

EVO-A1 AEG-001A

001A-CNC

### DETAIL A



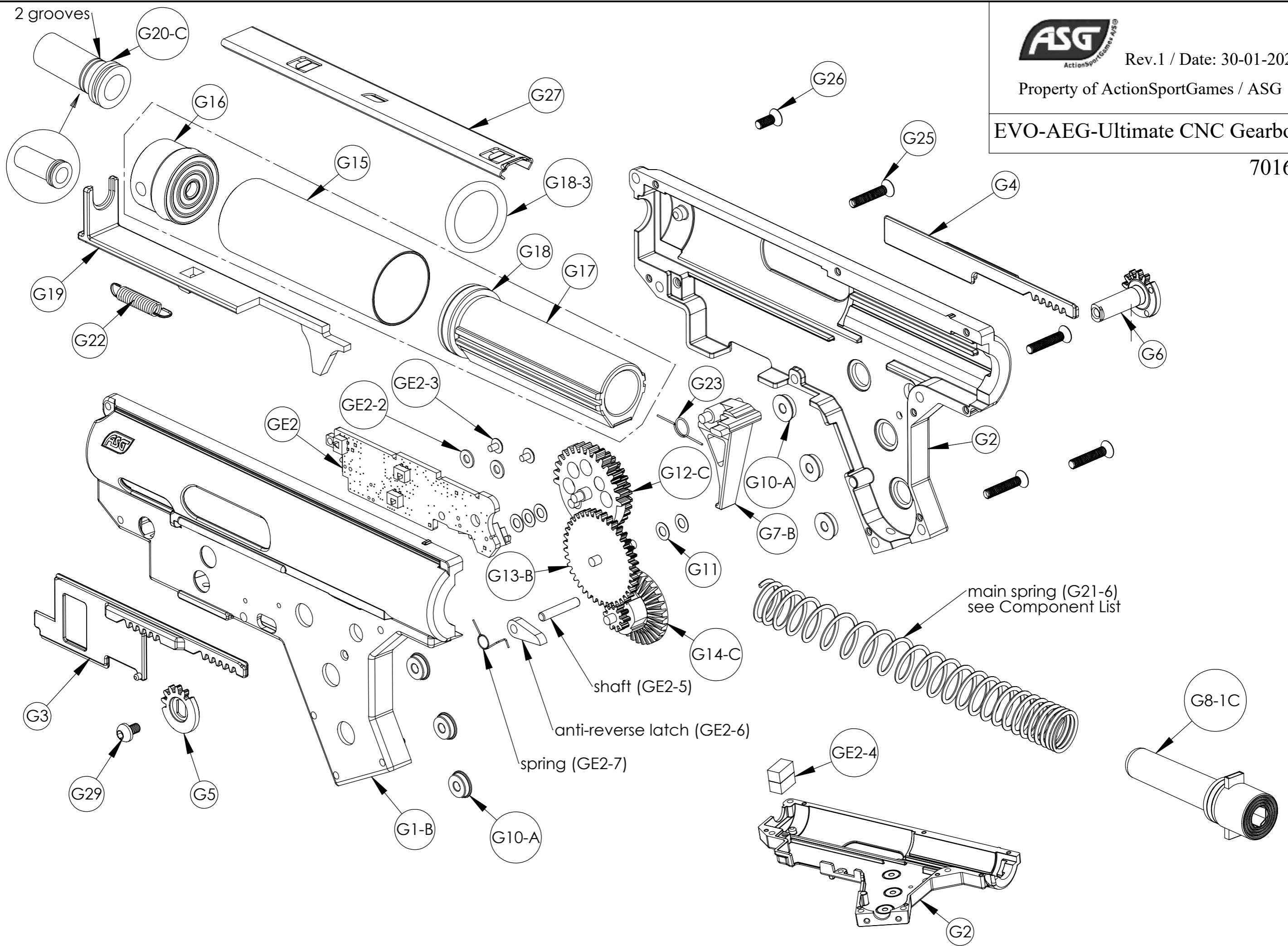


Rev.1 / Date: 30-01-2024

Property of ActionSportGames / ASG

# EVO-AEG-Ultimate CNC Gearbox

70169



Drawing no.	order no.	Description	*
BA1B	17739	Outer Barrel	
BA2	17740	Inner Barrel - 208mm	*
BA3	17741	Barrel Nut	
BA4-B	17742	Flash Hider	
BO1	17752	Upper Receiver - L	
BO10	17761	Selector Gear - L	
BO11	17762	Selector Gear - R	
BO12	17763	Selector Spring	
BO13	17764	Set screw M3x4 DIN916	
BO14	17765	Bolt Catch Lever	
BO15	17747	Hop-Up Push-Spring	
BO16	17766	Mag Release	
BO17	17767	Mag Release Pin $\varnothing$ 3,5x30	
BO18	17768	Mag Release Spring	
BO19	17769	Disassembly Pin	
BO2	18098	Upper Receiver - R	
BO20	17770	Sling hook, Scorpion EVO 3 - A1	
BO21	17771	Charging Handle	
BO21-1	17772	Charging H-Spring	
BO22	17773	Charging handle pin	
BO23	17774	Dummy Bolt	
BO24-1	17775	Dummy bolt spring	
BO24-2	17776	Dummy spring guide	
BO25	17777	Bolt M4x35 DIN912	
BO26	17778	Bolt M4x12 DIN912	
BO27	17779	Bolt M4x25 DIN912	
BO28	17780	Nut M4x4	
BO3	17754	Lower Receiver	
BO30	17781	Bolt M3x6 ISO7380-1	
BO31	18578	Bolt M3x6,8 mm	
BO4	17755	Hand Guard - front set	
BO5	17756	Grip	
BO6	17757	Grip Cap	
BO7	17758	Motor Adjusting Bolt	x
BO8	17759	Selector Lever - L	
BO9	17760	Selector Lever - R	

Drawing no.	order no.	Description	*
G1-B	70156	Gearbox Shell - Left	
G2	19231	Gearbox Shell - Right	
G3	17706	Selector Plate - L	
G4	17707	Selector Plate - R	
G5	17708	Transfer gear - L	x
G6	17709	Transfer gear - R	
G7-B	19154	Trigger (CNC)	
G8-1C	18158	Spring guide - with axial bearing	
G10-A	17714	Oilless Bushing 8 mm	*
G11	17715	Shims 3x6x0,5 mm	*
G11	18048	Shims 3x6x0,3 mm	*
G11	70241	Shims 3x6x0,2 mm	*
G12-C	70162	Gear - Sector - CNC	*
G13-B	70159	Gear - Spur - Boost/ CNC	*
G14-C	70164	Gear - Bevel - CNC	*
GCA	70166	Cylinder/piston unit (G15 to G18)	*
G15		Cylinder	
G16		Cylinder head	
G17		Piston	
G18		Piston head with O-ring	
G18-3	70242	O-ring (can be ordered as replacement)	
G19	17723	Tappet Plate V3	
G20-C	70268	Nozzle 18,7 mm	
G21-6	18744	Main Spring M115 (yellow)	*
G22	17727	Tappet Spring	
G23	17728	Trigger Spring	
G25	17730	Bolt M3x16 DIN7991	
G26	17731	Bolt M3x8 DIN7991	
G27	19354	Gearbox Plate	
G29	17734	Bolt M3x5 ISO7380-1	
G30C,G31B,G32B	70167	motor CNC - short axle	
GE2	70152	EC Unit - for EVO Boost and CNC	
GE2-2		Plastic washer for M2 screw	
GE2-3		Bolt M2x3 (round head $\varnothing$ 4,3 mm)	
GE2-4		Rubber	
GE2-5		Shaft	
GE2-6		Anti-reverse latch	
GE2-7		Spring	
HU1-B	70070	Hop-Up Chamber (CNC)	
HU2-C	70109	Hop-Up Pusher	
HU3-B	70072	Hop-Up Adjustment Button	
HU3-C	70073	Hop-Up Support Shaft	

Drawing no.	order no.	Description	*
HU4	17746	Hop-Up C-Clip	
HU5-B	70075	Return Spring	
HU7	17749	Hop-Up Rubber	*
HU7-B	70076	Top Rubber	*
HU9	17751	Hop-Up Ring	
HU10	70077	Set screw M3x4 DIN914	conical
HU11	70078	Washer ( $\varnothing$ 5,3/ $\varnothing$ 10/s=1)	
HU11-B	70111	Shim Washer 0,1 mm red	*
HU11-C	70112	Shim Washer 0,2 mm blue	*
HU11-D	70113	Shim Washer 0,5 mm yellow	*
HU12	70079	O-ring (d1=5,1/d2=1,6)	
HU13	70080	O-ring (d1=8/d2=1) - optional	
M1	17792	Magazine Body - Black	
M10	17802	Magazine Spring Support	
M11	17803	Bottom Cap	
M12	17804	Pin $\varnothing$ 2x21	
M2	17793	Magazine Shell - L	
M3	17794	Magazine Shell - R	
M4-1	17795	Follower 1	
M4-2	17796	Follower 2	
M5	17797	Status Lever 1	
M6	17798	Status Lever 2	
M7	17799	BB Jaw	
M8	17800	Jaw Spring	
M9	17801	Magazine Spring	
S1	17782	Stock Base	
S10	17791	Pin $\varnothing$ 4x54	
S11	18327	Stock Shoulder	
S2	18323	Stock Body	
S3A	18324	Stock Extender	
S4	18325	Stock Release Lever	
S5	17786	Stock Lock. Lever Spring	
S6	17787	Locking Button Pin $\varnothing$ 6x16	
S7	18326	Stock Button	
S8	17789	Locking Button Spring	
S9	17790	Pin $\varnothing$ 3x24	

19782 Ultimate CNC (colour: Black)

# EVO-A1 AEG